

## Information Analysis

OWL Intuition-pv widget with real time energy and cost information  
Quick comparison of recent periods  
Quick recent trend indicators (hover over for additional information)  
Graphs have quick selection buttons:

Time Frames – show data for last 1 day, 1 week,  
1 month, 3 months, 6 months  
Grouped By – None (full detail), Day, Week,  
Month, Year  
Display – Energy consumed, Cost of energy  
consumed, CO2e of energy consumed

Hover over graphs for detail

Print graph

Download:

Graph as PDF document, JPEG image, PNG image  
or SVG vector image

Push data streams for those wishing to collect and analyse own  
data:

Multicast data broadcast on local network

## Technical

Operating frequency:

Transmitter - 433MHz

Network OWL Gateway – 433MHz and 868MHz

Operating range up to 30m

12 second refresh rate (Electricity consumption data)

Transmitter battery life > 14 months

Sensor suitable to monitor cables rated up to 71A

Storage conditions: -25°C to +65°C

Relative humidity: 25% to 95% non-condensing

Operating temperature: 0°C to 40°C

Ingress protection: IP30

## Standards

IEC 61010-1:2001(2nd Edition) / EN 61010-1:2001(2nd Edition)  
ETSI EN 300 220-1 V2.1.1 (2006-04) / ETSI EN 300 220-2 V2.1.2  
(2007-06)

ETSI EN 301 489-1 V1.8.1 (2008-04) / ETSI EN 301 489-3 V1.4.1  
(2002-08)

R&TTE - WEEE Directive, RoHS, Battery Directive

## Includes

Network OWL Gateway with external antenna

Plug top power supply – 240V UK

Ethernet cable

3 channel Transmitter unit

2 x standard Sensor clamp (< 10mm cable, < 71A)

3 x AA alkaline battery

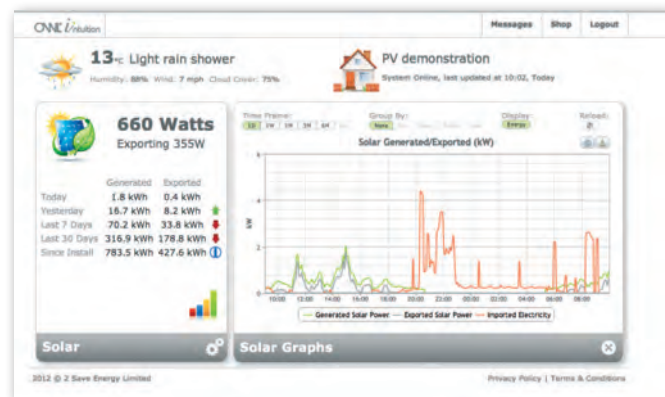
Installation /User Manual

## Options

Large Sensor clamp (< 17mm cable, < 200A)



**2 Save Energy Ltd**  
The Annexe, Field House Barn  
Chineham Lane, Sherborne St John  
Basingstoke, Hants RG24 9LR UK  
Tel: +44 1256 383 430  
www.theowl.com



## Extending the domestic system

**OWL Intuition-pv** is only a first step towards really significant energy and cost savings. It will make a big difference to your knowledge about electricity usage and will help you change simple things that will reduce your electricity consumption.

It is a little known fact, however, that over 80% of the energy consumed in the home is used for heating and hot water. **OWL Intuition** brings heating and hot water control into the Internet Age. The intelligent control system has numerous energy saving and ease of use features. For example, it can take the occupancy of the home into account – why waste energy and money heating your home when there is nobody in? **OWL Intuition** is designed to save energy without sacrificing comfort. For example, the energy saved by being able to delay the heating coming on when you are going to be late home – or the convenience and comfort of being able to turn the heating on before coming home early on a cold day?

Please visit our web site for further information on **OWL Intuition**.  
[www.theowl.com/intuition](http://www.theowl.com/intuition)

**OWL Intuition-pv**  
new generation energy monitoring

**OWL Intuition-pv** is a new **OWL** product created to compliment and monitor your Solar PV installation.

**OWL Intuition-pv** provides real-time access to your electricity consumption and solar generation data through your web browser, smart phone or tablet.

**OWL Intuition-pv** is part of a new and expanding family of intelligent, cloud based energy monitoring and control solutions for domestic and commercial premises.

make your home an **OWL** home





**OWL Intuition-pv** is a new **OWL** product created to compliment and monitor your Solar PV installation. **OWL Intuition-pv** provides real-time access to your electricity consumption and solar generation data through your web browser, smart phone or tablet.

**How does it work?**

The **Network OWL** gateway automatically logs all of your consumption and generation data securely within the Intelligent Cloud software platform. You can then login to view your live and historic data, from any Internet connected computer, anywhere! Or if you wish, access **OWL Intuition-pv** on your smartphone using a dedicated iPhone or Android app - both available for free download . **Network OWL** gateway simply plugs into your existing broadband router and wirelessly links with the Transmitter and two Sensors.

**OWL Intuition-pv** is part of a new and expanding family of intelligent, cloud based energy monitoring and control solutions for domestic and commercial premises.

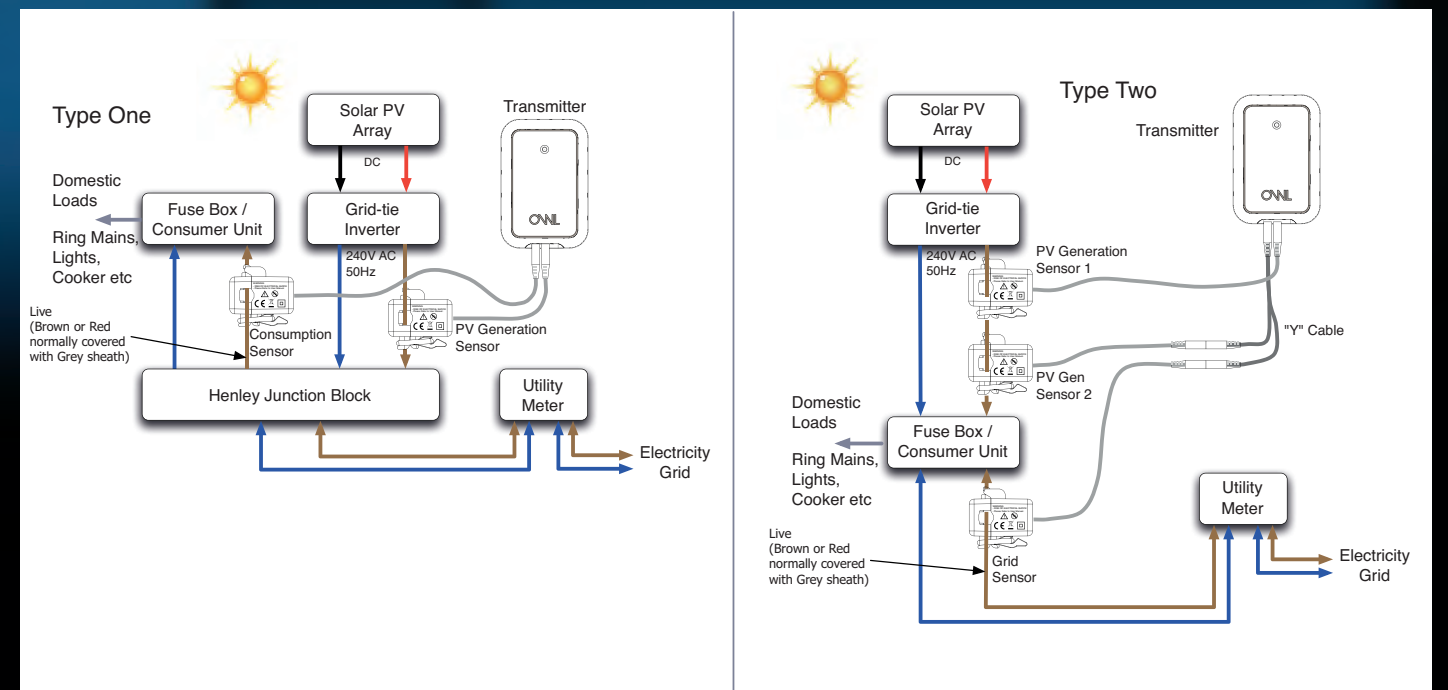


**Features**

- Energy data is automatically and continuously collected and stored within the Intelligent Cloud via a Network OWL connected to your existing broadband Internet connection
- Real time and accumulated data can be viewed via:
  - Web browsers (including iPad)
  - iPhone and Android smartphones
- Clear summary information with trend indicators and “hover over” analysis
- Easy to read graphs with hover over detail values
- Print or download graphs
- Supports Economy 7 timed tariffs
- Optional data push via Multicast protocol
- Software is upgradable to provide access to future new features and services

**System Design**

**OWL Intuition-pv** allows you to monitor how much Solar PV power is being generated, the energy your home is currently consuming and hence how much power is being imported from or exported to the grid. There are two common Solar PV wiring configurations, see the diagrams opposite to determine which type you have. If you have a Type One installation then you just need to purchase the standard Intuition-pv pack. If you have a Type Two installation then you will need to purchase both the standard Intuition-pv pack and the Intuition-pv Type 2 pack which includes both the “Y” cable and the additional Sensor clamp required.



Web browsers must have JavaScript enabled.  
 OWL Intuition is optimised for use on Internet Explorer 9+; Safari 5+;  
 Safari iOS 5+; Chrome 17+